

Laboratory Upright Freezer FrostBox

- Static cooling and manual defrost
- Low-noise fully hermetic compressor, air-cooled and low-maintenance
- Operating panel with electronic control and digital display (LED)
- Can be stacked (maximum of 3 units)
- External housing made of stainless steel CNS
- Door with multi-pane glass
- Door lockable, door hinges on left
- Interior made of stainless steel (CNS) without mounted equipment, making it especially hygienic and easy to clean

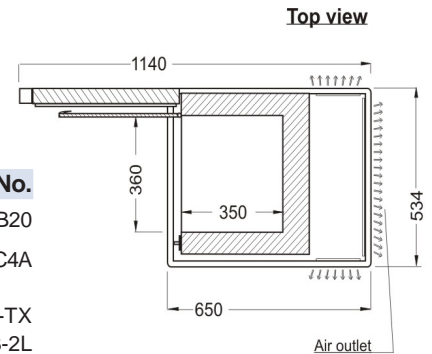


FrostBox FB20 with multi-pane glass

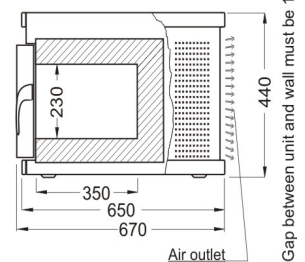
Model FrostBox	FB 20
Temperature range	°C: +10/-20 : Other temperature ranges available on request.
Content litres (gross):	30
Ext. dimensions (WxDxH) mm:	534x670x440
Int. dimensions (WxDxH) mm:	360x350x230
Depth with door opened mm:	1140
Weight kgs:	42
Mains connection volts/Hz/ph:	230/50/1
Refrigerant CFC- and HCFC-free:	R134a

FrostBox + Accessories:

FrostBox + Accessories:	Cat. No.
FrostBox FB 20	GSFB20
ProfiTec Temperature Monitoring and Recording System (see sep. brochure).	GPTEC4A
ProfiCaller telephone dialler (see sep. brochure).	ZXX2-009-TX
Pt-100 temperature sensor, add. installed for ext. temperature recording.	ZPM2-023-2L
Forced air circulation.	on request
Solid door instead of multi-pane glass.	on request
Door hinges factory-mounted on right.	ZFB5-001
Duct to storage compartment 19 mm in diameter.	ZPM1-002-20
Storage set (see below).	ZFB3-090
Stainless steel insert with drawers (see below).	see table
MIN/MAX thermometer to be placed in refrigerators or freezers.	ZXX2-019-001
Measuring range -50/+50°C, an add. temperature sensor is not required.	
MIN/MAX digital thermometer. Hand-held unit with digital display as well as data-hold and relative measuring function. Measuring range -200/+1370°C.	ZXX2-019-011
An add. temperature sensor is required, eg. Cat.-No. ZXX2-022-100.	
Temperature sensor for MIN/MAX thermometer ZXX2-019-011.	ZXX2-022-100
Measuring range -100/+1000°C. Length 2 m. Other ranges on request.	

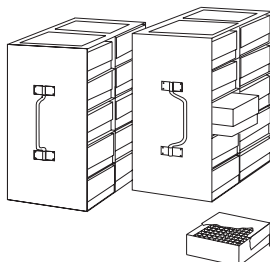


Side view

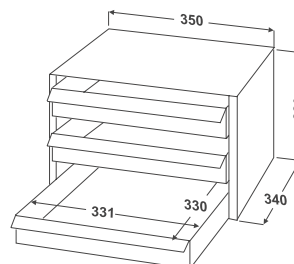


Storage System Alternatives

Stainless steel horizontal racks (modifiable)



Stainless Steel Insert with Drawers (modifiable)



Drawers	Height (mm)	Cat. No.
2	106,0	ZFB3-002
3	69,0	ZFB3-003
4	51,0	ZFB3-004
5	40,0	ZFB3-005
6	33,0	ZFB3-006
7	27,5	ZFB3-007
8	24,0	ZFB3-008
9	20,5	ZFB3-009
10	18,0	ZFB3-010

Height= Effective internal height of each drawer